

## PIIIM-275/3+1 Vseries

- Surge arresters type T2 ensure the equipotential bonding and reduce switching, induced and residual overvoltage in LV power supply systems.
- The products consist of varistors with big discharge ability.
- Configurations 1+1 and 3+1 are additionally combined with a gas discharge tube which ensures zero leakage current through the PE conductor.
- Installed on the interface of LPZ 1 – LPZ 2 into subsidiary switchboards and control boxes.
- **M** indication specifies a type of construction with removable module.
- **DS** indication specifies a version with remote monitoring.
- Other voltage levels can be produced on request.

Type	PIIIM-275/3+1 Vseries	
Test class according to EN 61643-11:2012 (IEC 61643-11:2011)	T2	
System	TN-S, TT	
Number of poles	4	
Rated operating AC voltage	$U_N$	230 V
Maximum continuous operating voltage AC	$U_C$	275 V
Maximum discharge current (8/20)	$I_{max}$	50 kA
Nominal discharge current for class II test (8/20)	$I_n$	20 kA
Total discharge current (8/20) L1+L2+L3+N->PE	$I_{Total}$	50 kA
Voltage protection level at $I_n$	$U_p$	< 1.3 kV
Impulse discharge current for class I test (10/350) N/PE	$I_{imp}$	20 kA
Temporary overvoltage test (TOV) for $t_T = 5$ s (L/N)	$U_T$	335 V
Temporary overvoltage test (TOV) for $t_T = 0.2$ s (N/PE)	$U_T$	1 200 V
Response time (L/N)	$t_A$	< 25 ns
Response time (N/PE)	$t_A$	< 100 ns
Maximal back-up fuse	160 A gL/gG	
Short-circuit current rating at maximum back-up fuse	$I_{SCCR}$	60 kA <sub>rms</sub>
Lightning protection zone	LPZ 1-2, LPZ 2-3	
Housing material	Polyamid PA6, UL94 V-0	
Degree of protection	IP20	
Operating temperature	$\theta$	-40 ÷ 70 °C
Minimum cross-section of connected Cu conductors accord. to HD 60364-5-53:2022 (doesn't apply to „V“ connection) for T2	S	2.5 mm <sup>2</sup> (L, N) 6 mm <sup>2</sup> (PE, PEN)
Clamp fastening range (solid conductor)	2.5 ÷ 35 mm <sup>2</sup>	
Clamp fastening range (stranded conductor)	2.5 ÷ 25 mm <sup>2</sup>	
Tightening moment	4 Nm	
Installation	On DIN rail 35 mm	
Modular width	4 TE	
Operating position	Any	
Signalling at the device	Optic	

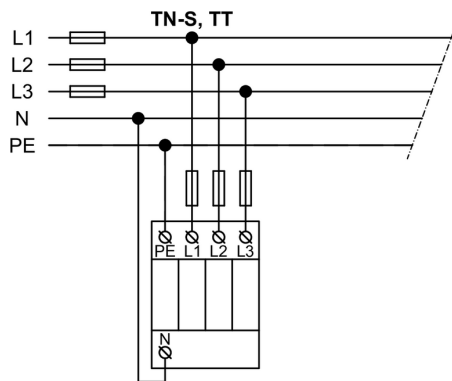
Type		PIIIM-275/3+1 Vseries
Importance of local signaling		OK – green target FAULT – red target
Remote signalling		No
Modular design		Yes
Article number of spare module		27 044, 27 049
Lifetime		> 100 000 h
<b>Designed according to standards</b>		
Requirements and test methods for SPDs connected to low-voltage power systems		IEC 61643-11:2011
Safety of Flammability of Plastic Materials		UL 94
<b>Application standards</b>		
Protection against lightning		IEC 62305:2010
Selection and erection of electrical equipment – Switchgear and controlgear		HD 60364-5-53:2022
Selection and application principles for SPDs connected to low-voltage power systems		CLC/TS 61643-12:2009
<b>Ordering, packaging and additional data</b>		
Mass	m	466 g
Mass (including the packaging)	m	490 g
Packaging dimensions (H x W x D)		77 x 114 x 88 mm
Packaging value	V	0.77 dm <sup>3</sup>
ETIM group		EG000021
ETIM class		EC000941
Customs tariff no.		85363010
EAN code		8590681270226
<b>Art. number</b>		<b>27 022</b>



The link in the QR code leads to the online presentation of the **PIIIM-275/3+1 Vseries**. There, in addition to the always up-to-date data sheet, you will also find all diagrams and drawings, declarations of conformity, or 2D or 3D models and other necessary materials. For more information, visit [www.hakel.com](http://www.hakel.com)



**Application wiring diagram (installation)**



**Internal diagram**

